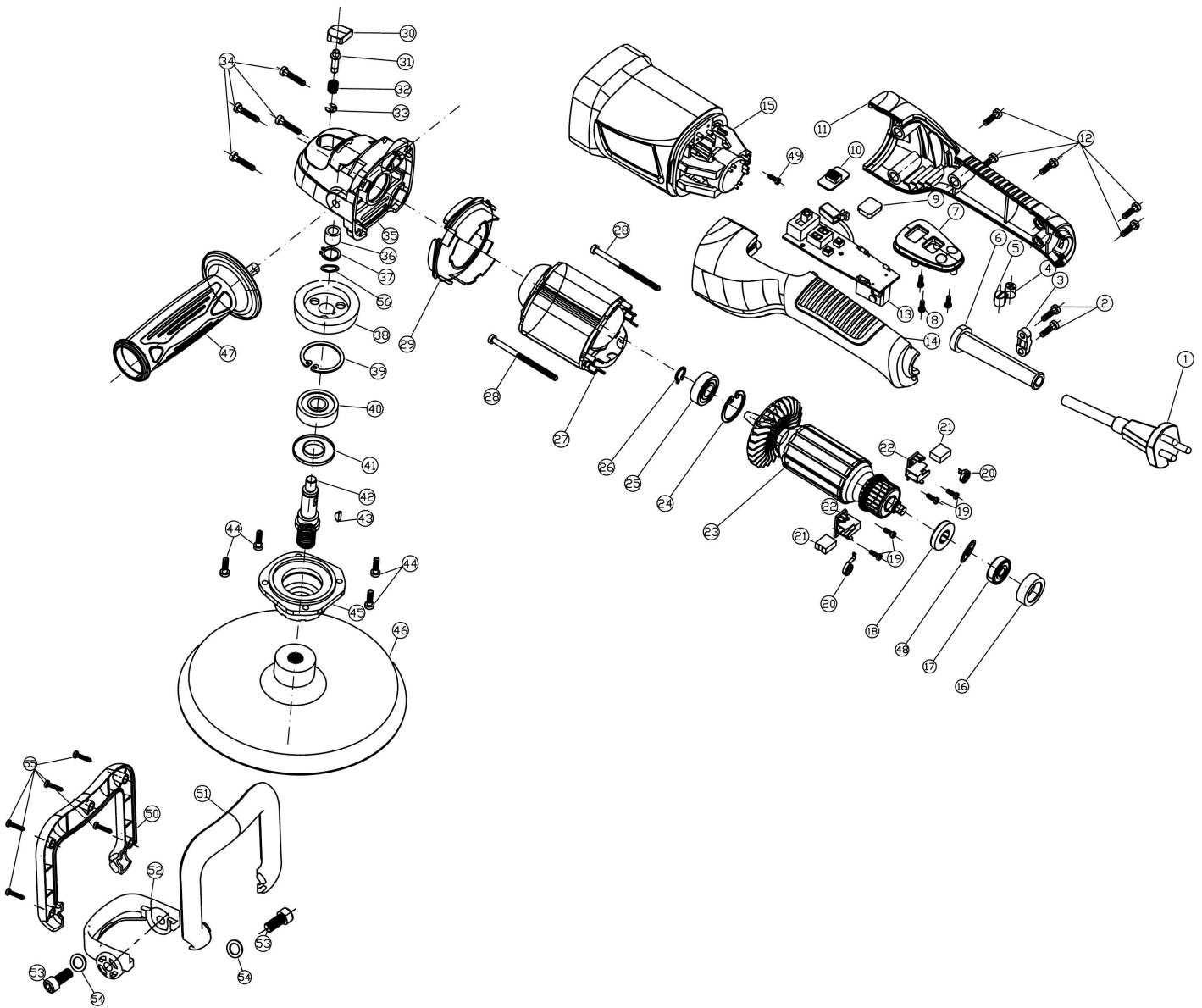




Parts Information:
Polisher Digital Ø180mm 1100W/230V
Lightweight
Model No: ER1700PD.V2



NOTE: It is our policy to continually improve products and as such we reserve the right to alter data, specifications and component parts without prior notice.

IMPORTANT: No liability is accepted for incorrect use of product.

WARRANTY: Guarantee is 12 months from purchase date, proof of which will be required for any claim.

Sealey Group, Kempson Way, Suffolk Business Park, Bury St Edmunds, Suffolk. IP32 7AR



01284 757500



01284 703534



sales@sealey.co.uk



www.sealey.co.uk



Parts Information:
Polisher Digital Ø180mm 1100W/230V
Lightweight
Model No: ER1700PD.V2

Item	Part No.	Description
1	ER1700PD.01	Plug & Cable
2	DAS150TV4-42	Rd Head S/T Screw M4 x 14 Black
3	ER1700PD.03	Cable Clamp
4	ER1700PD.04	Speed Control
5	ER1700PD.05	Speed Control
6	ER1700PD.06	Cable Sleeve
7	ER1700PD.07	Red Plastic Cover For Speed Control Switch
8	ER1700PD.08	Tapping Screw
9	ER1700PD.09	Display Screen
10	ER1700PD.10	Speed Regulator Knob
11	ER1700PD.11	Handle Grip, Right
12	ER1700PD.12	Rd Head S/T Screw M4 x 16 Black
13	ER1700PD.13	PCB
14	ER1700PD.14	Handle Grip, Left
15	ER1700PD.15	Housing
16	ER1700PD.16	Bearing Holder
17	B/627ZZ	Bearing 627ZZ
18	ER1700PD.18	Magnetic Ring
19	ER1700PV2-49	Rd Head S/T Screw M3 x 8 Black
20	ER1700PD.20	Coil Spring
21	ER1700PD.21	Carbon Brush
22	ER1700PD.22	Carbon Brush Holder
23	ER1700PD.23	Rotor
24	ER1700PD.24	Int Circlip 28.0mm Od.
25	B/629-2RS	Bearing 629-2RS
26	ER1700PD.26	Ext Circlip 8.0mm Id.
27	ER1700PD.27	Stator

Item	Part No.	Description
28	ER1700PD.28	Rd Head S/T Screw M3.8 x 70 Black
29	ER1700PD.29	Air Guide
30	ER1700PD.30	Lock Pin Cap
31	ER1700PD.31	Lock Pin
32	ER1700PD.32	Lock Pin Spring Dia 6.75mm
33	ER1700PD.33	E-Clip 4Mm Id.
34	ER1700PD.34	Rd Head S/T Screw M3.8 x 20 Black
35	ER1700PD.35	Gear Case
36	B/HK0810	Needle Bearing HK0810
37	ER1700PD.37	Ext Circlip 9.2mm Id.
38	ER1700PD.38	Gear
39	ER1700PD.39	Int Circlip 32.0Mm Od.
40	B/6200-2RS	Bearing 6200-2RS
41	ER1700PD.41	Dust Cover
42	ER1700PD.42	Spindle
43	ER1700PD.43	Key (3x10)
44	ER1700PD.44	Cap Screw
45	ER1700PD.45	Housing Cover
46	ER1700PV3-47	Velcro Backing Pad
47	ER1700PD.47	Side Handle
48	ER1700PD.48	Bearing Seal
49	ER1700PV2-49	Rd Head S/T Screw M3 x 8 Black
50	ER1700PD.50	Handle, Front
51	ER1700PD.51	Handle, Back
52	ER1700PD.52	Handle Support
53	SCB820.S	Socket Cap Bolt Zinc M8x20
54	ER1700PD.54	Washer Thin M8x54

NOTE: It is our policy to continually improve products and as such we reserve the right to alter data, specifications and component parts without prior notice.

IMPORTANT: No liability is accepted for incorrect use of product.

WARRANTY: Guarantee is 12 months from purchase date, proof of which will be required for any claim.

Sealey Group, Kempson Way, Suffolk Business Park, Bury St Edmunds, Suffolk. IP32 7AR



01284 757500



01284 703534



sales@sealey.co.uk



www.sealey.co.uk